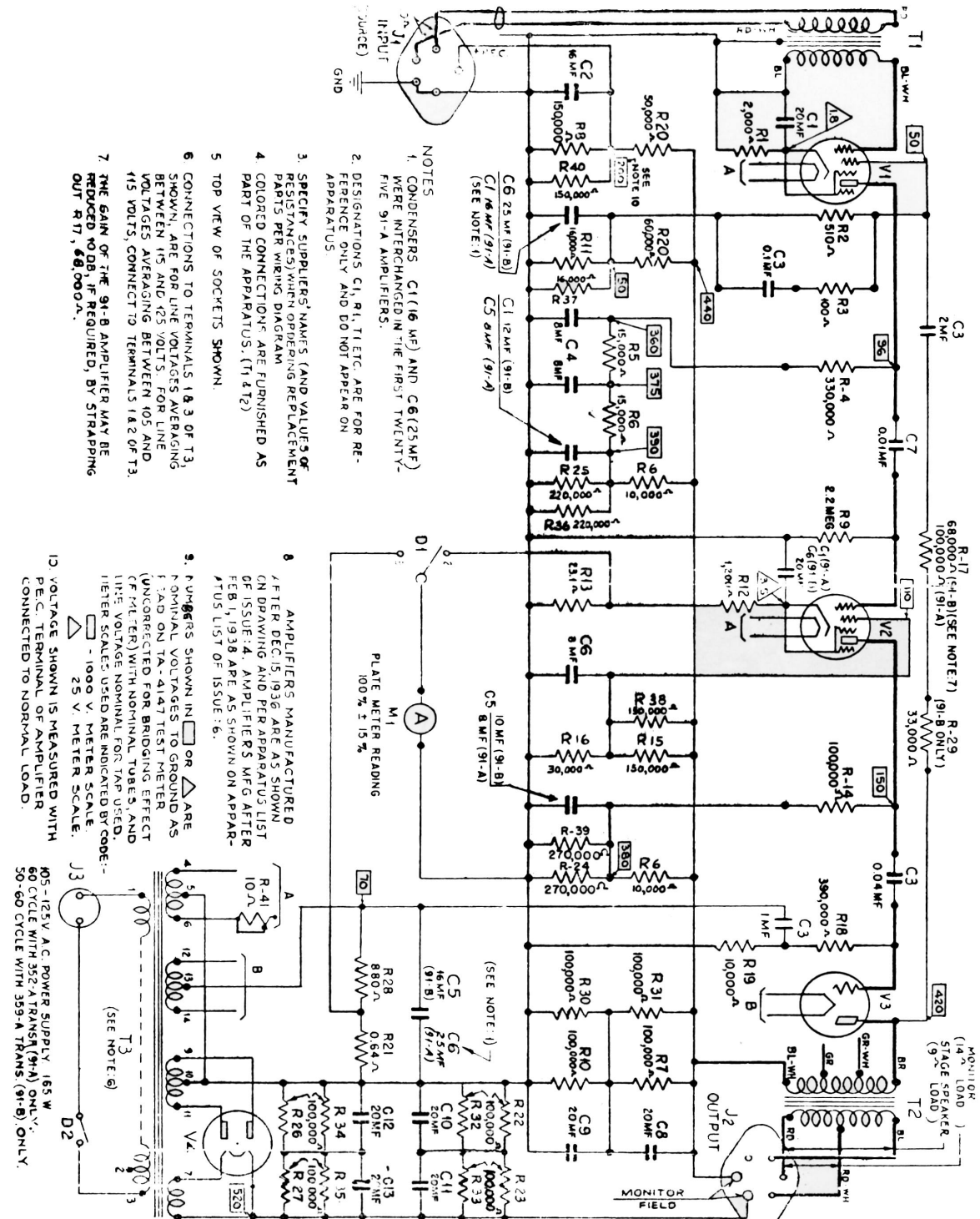
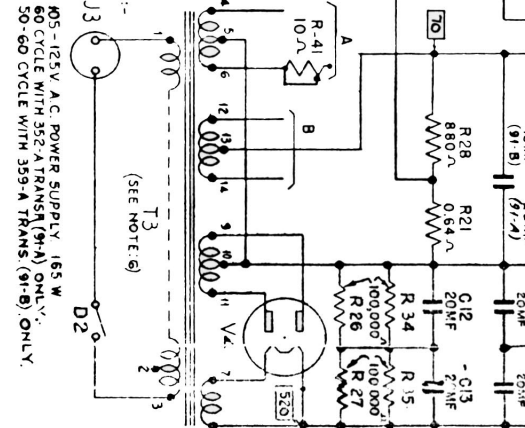


No. 91 - A AMPLIFIER



- NOTES
- CONDENSERS C1 (16 MF) AND C6 (25MF) WERE INTERCHANGED IN THE FIRST TWENTY-FIVE 91-A AMPLIFIERS.
  - DESIGNATIONS C1, R1, T1 ETC. ARE FOR REFERENCE ONLY AND DO NOT APPEAR ON APPARATUS.
  - SPECIFY SUPPLIER'S NAMES (AND VALUES, OF RESISTANCES) WHEN ORDERING REPLACEMENT PARTS PER WIRING DIAGRAM.
  - COLOR CODE CONNECTIONS ARE FURNISHED AS PART OF THE APPARATUS. (T1 & T2)
  - TOP VIEW OF SOCKETS SHOWN.
  - CONNECTIONS TO TERMINALS 1 & 3 OF T3 SHOWN, ARE FOR LINE VOLTAGES AVERAGING BETWEEN 115 AND 125 VOLTS. FOR LINE VOLTAGES AVERAGING BETWEEN 105 AND 115 VOLTS, CONNECT TO TERMINALS 1 & 2 OF T3.
  - THE GAIN OF THE 91-B AMPLIFIER MAY BE REDUCED TO DB, IF REQUIRED, BY STRIPPING OUT R17, R8, 0000A.

- VOLTS SHOWN IN  $\square$  OR  $\triangle$  ARE NOMINAL VOLTAGES TO GROUND AS READ ON TA-4147 TEST METER (UNCONNECTED FOR BRIDGING EFFECT (FRONT) WITH NOMINAL TUBES, AND LINE VOLTAGE NOMINAL FOR TAP USED. METER SCALES USED ARE INDICATED BY CODE:  $\square$  - 1000 V. METER SCALE.  $\triangle$  - 25 V. METER SCALE.
- VOLTAGE SHOWN IS MEASURED WITH P.E.C. TERMINAL OF AMPLIFIER CONNECTED TO NORMAL LOAD.



SIGNAL INPUTS		APPARATUS	
91-A	91-B	REPLACEMENT PARTS	
D1	D1	6X4	6X4
C1	C1	6AV6	6AV6
C2	C2	6AR5	6AR5
C3	C3	6AV6	6AV6
C4, C5	C4	6AR5	6AR5
C6	C6	6AV6	6AV6
C7	C7	6AR5	6AR5
C8, C9, C10, C11	C8, C9, C10, C11	6AV6	6AV6
C12, C13	C12, C13	6AR5	6AR5
D2	D2	6AV6	6AV6
J1	J1	6AR5	6AR5
J2	J2	6AV6	6AV6
J3	J3	6AR5	6AR5
M1	M1	6AV6	6AV6
R1, R2, R3, R4, R5, R6, R7, R8, R9, R10, R11, R12, R13, R14, R15, R16, R17, R18, R19, R20, R21, R22, R23, R24, R25, R26, R27, R28, R29, R30, R31, R32, R33, R34, R35, R36	R1, R2, R3, R4, R5, R6, R7, R8, R9, R10, R11, R12, R13, R14, R15, R16, R17, R18, R19, R20, R21, R22, R23, R24, R25, R26, R27, R28, R29, R30, R31, R32, R33, R34, R35, R36	RESISTORS	RESISTORS
T1	T1	6AV6	6AV6
T2	T2	6AR5	6AR5
T3	T3	6AV6	6AV6
V1, V2, V3, V4	V1, V2, V3, V4	VACUUM TUBES	VACUUM TUBES

*Western Electric Company*

No. 91 - A AMPLIFIER

